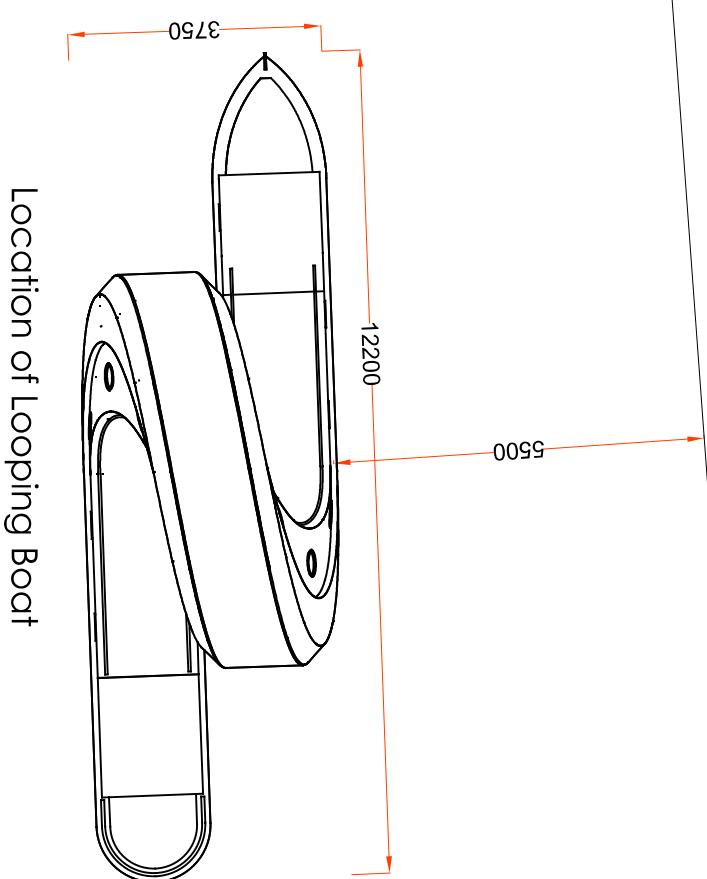


Tinsley No. 5 Lock

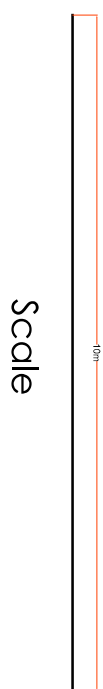
Tinsley No. 4 Lock



Overhead Cables

Railway Line

Electricity Pylon



**millimetre**

Unit 3  
57 Main Street  
Sheffield  
S11 1DR  
Tel: 0114 276 582  
E: info@millimetre.co.uk

Project	Drawing Title	Scale (unless stated)	Checked
Looping Boat	Site Plan	As Shown	A1
Origination Date	Drawing Number	Revision	Drawn By
19/01/2024	J151 - 02a		GB
Status			