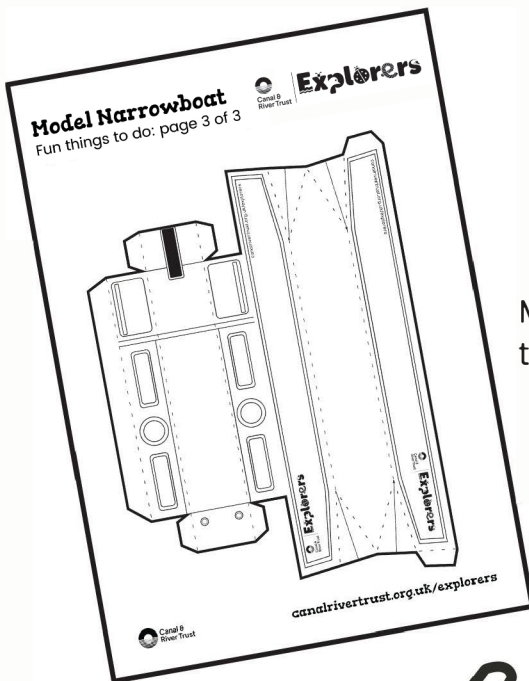


# Model Narrowboat

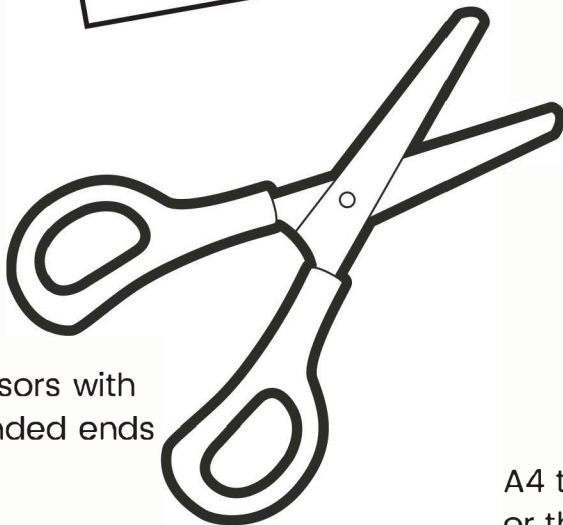
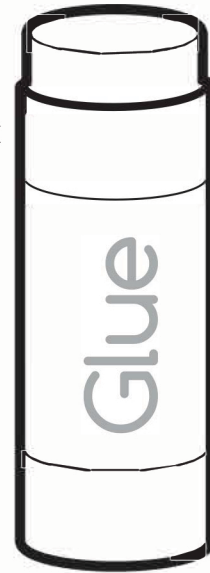
Fun things to do: page 1 of 3

## What you need

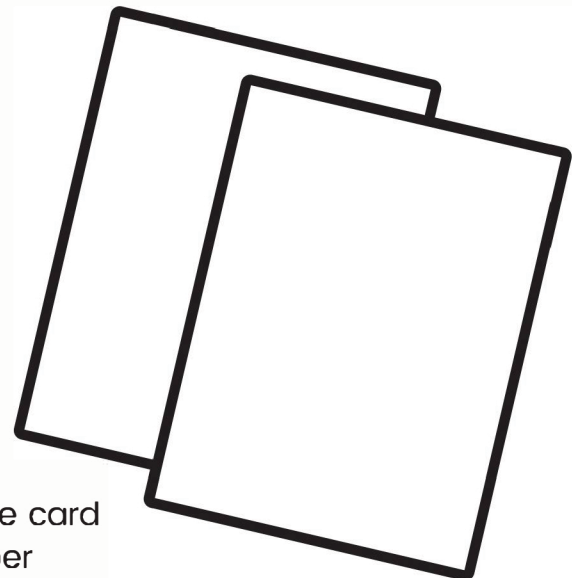


Model narrowboat  
template sheet

Glue stick



Scissors with  
rounded ends



A4 thin white card  
or thick paper

### Top Tips

Score the dashed and dotted lines, using the rounded end of the scissors along the edge of a ruler, before folding the card or paper. Fold and glue the cabin before pinching together the bow and stern.



# Model Narrowboat

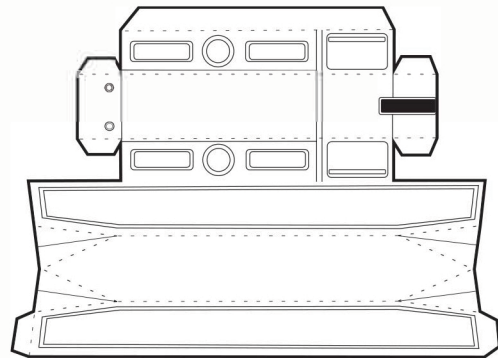
Fun things to do: page 2 of 3

Colour in the narrowboat template.  
You might like to decorate it with  
traditional 'roses and castles' designs.  
Don't forget to name it!



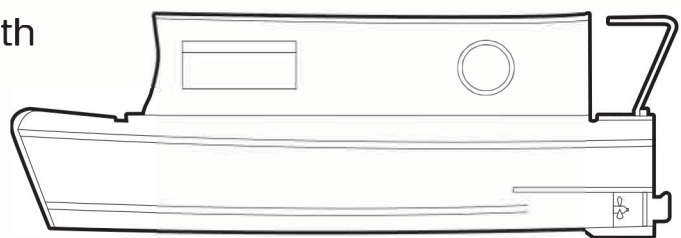
**1**

To make the boat more robust you  
could stick the template to a piece  
of thin card or thick paper. Then  
cut out the template carefully.



**2**

Fold along the dashed and dotted  
lines and tease the narrowboat into  
shape. Cut along the lines underneath  
the boat near the bow and stern,  
fold the remaining flap and pinch  
together the bow and stern.



**3**

Finally, put glue on the tabs and stick the boat  
together. Congratulations, you've made a boat!

**4**

# Model Narrowboat

Fun things to do: page 3 of 3

