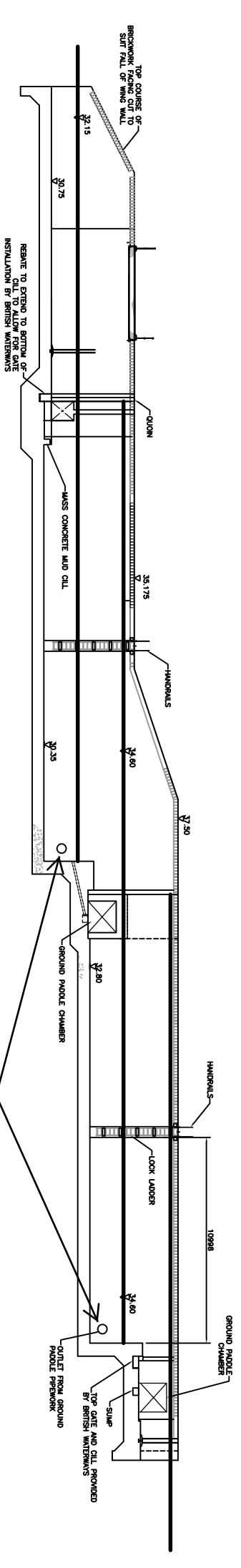
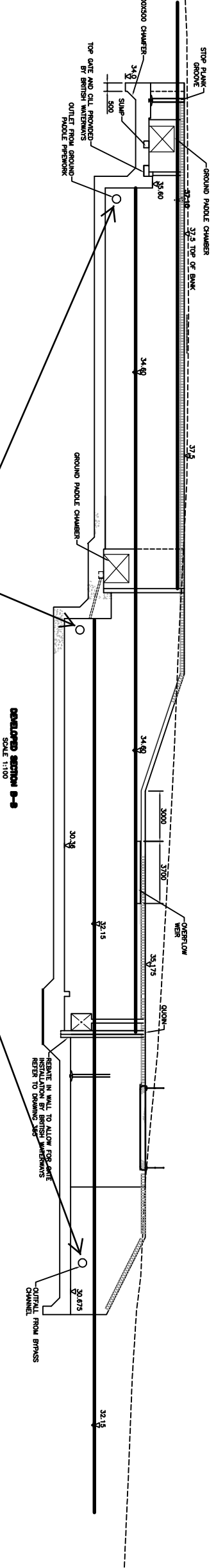


SCALE 1:100



DETAILED SECTION A-A  
SCALE 1:100

Pipe invert level = 755mm above top of lock base



DETAILED SECTION B-B  
SCALE 1:100

Pipe invert level = 755mm above top of lock base

- NOTES:**
- Do not scale from this drawing.
  - All dimensions are in millimetres unless otherwise stated.
  - All work is to be done and based on Ordnance Survey (OS) data.
  - Where necessary, dimensions in the gate design shall be checked for compatibility with the gate design.
  - The drawing shall be read in conjunction with the following documents:
    - 1. W/030/040/141-151
    - 2. W/030/040/141-151
    - 3. W/030/040/141-151
  - For setting out details refer to detailed works drawings.
  - All lockers, and other lock furniture to be provided by the contractor.
  - All concrete to be grade C20.
  - Surface finish to be fair finish.
  - All work to be provided by British Waterways.

**SAFETY HEALTH AND ENVIRONMENTAL INFORMATION**

IN ACCORDANCE WITH THE MANAGEMENT OF HEALTH AND SAFETY AT WORK REGULATIONS 1999, THE CONTRACTOR SHALL BE RESPONSIBLE FOR THE FOLLOWING INFORMATION:

1. All work shall be carried out in accordance with the relevant British Standards.

2. All work shall be carried out in accordance with the relevant British Standards.

3. All work shall be carried out in accordance with the relevant British Standards.

4. All work shall be carried out in accordance with the relevant British Standards.

5. All work shall be carried out in accordance with the relevant British Standards.

6. All work shall be carried out in accordance with the relevant British Standards.

7. All work shall be carried out in accordance with the relevant British Standards.

8. All work shall be carried out in accordance with the relevant British Standards.

9. All work shall be carried out in accordance with the relevant British Standards.

10. All work shall be carried out in accordance with the relevant British Standards.

**AS-BUILT**

NO.	DATE	DESCRIPTION
1	15/01/2023	AS-BUILT

**British Waterways**

**Mott MacDonald**

**Halcrow**

**DRITWICH CANAL RESTORATION JUNCTION CANAL**

**LOCK 4 AND 5 GENERAL ARRANGEMENT SHEET 1 OF 2**

PAW 14/11/2022

1:100 @ A1

**WN/CBAG/040/140**