




LEGO canal crane

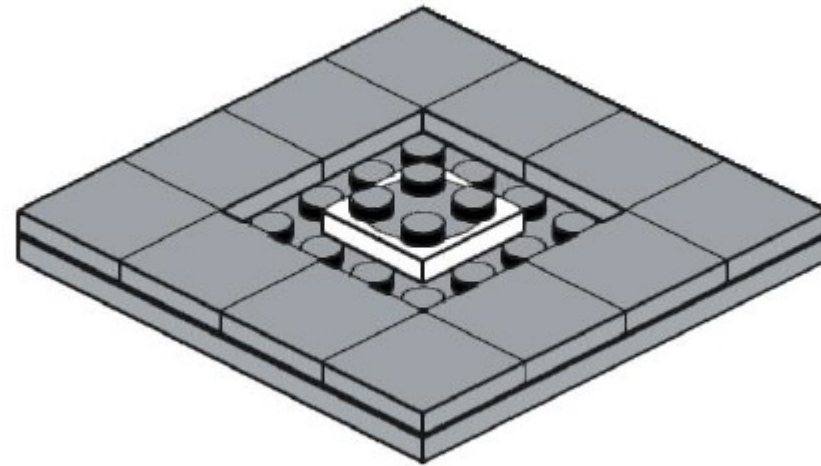
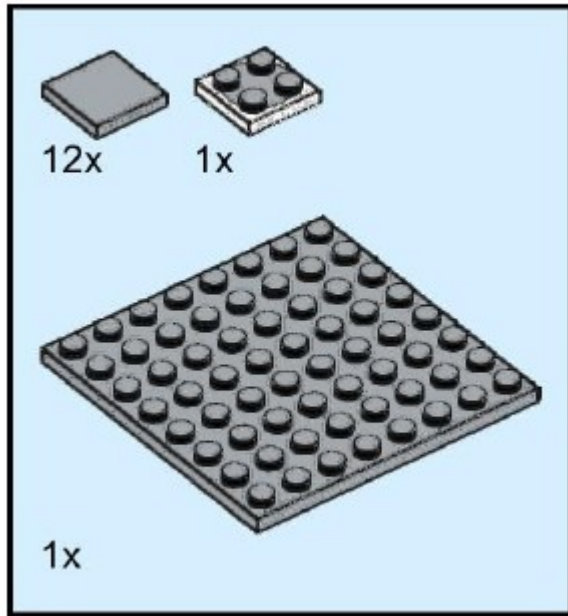


canalrivertrust.org.uk/explorers

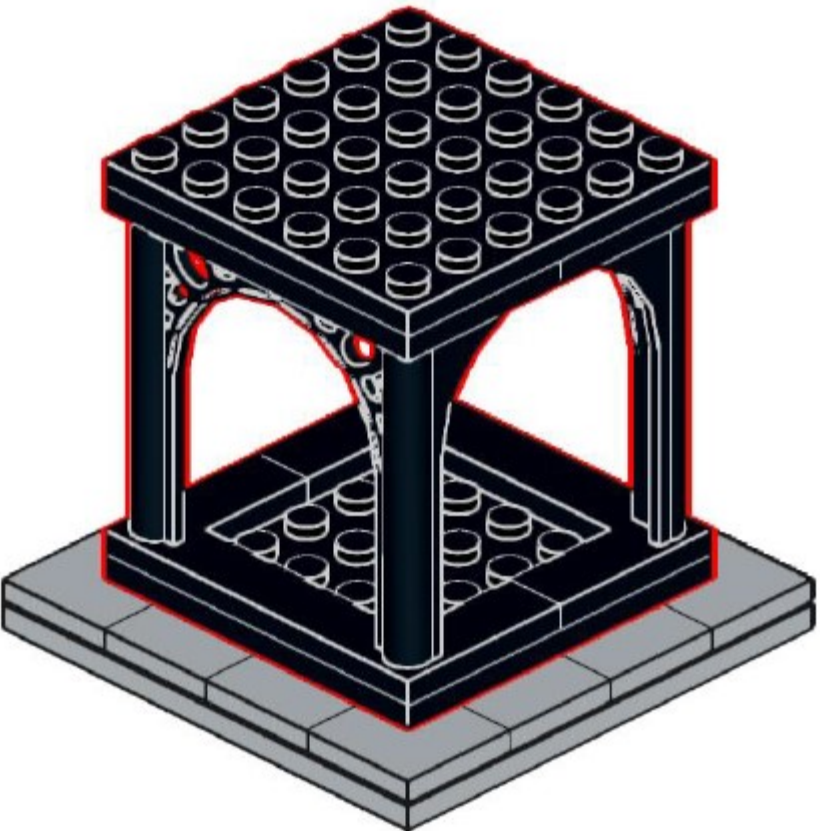
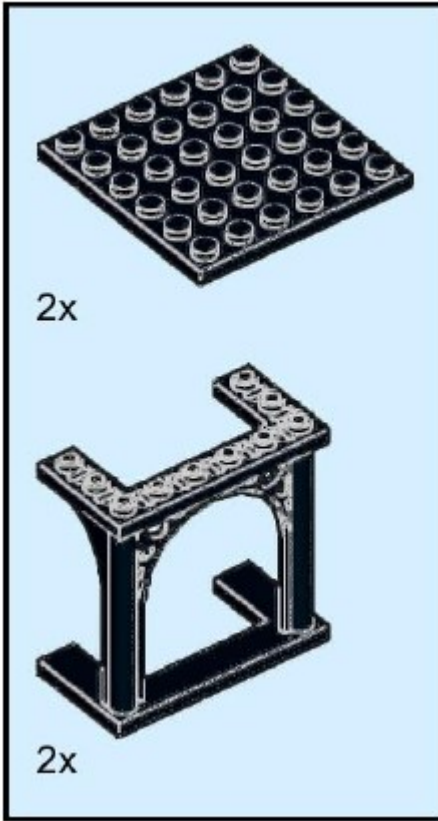
Charity No: 1146792

-  @CRTEExplorers
-  Canal & River Trust – Explorers
-  explorers@canalrivertrust.org.uk

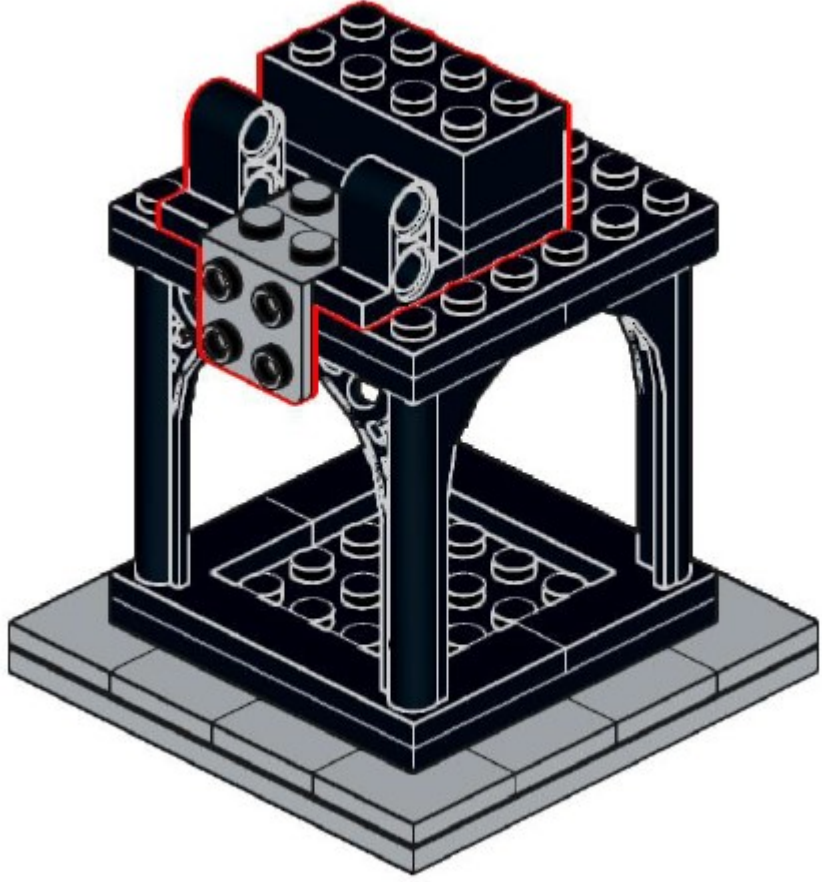
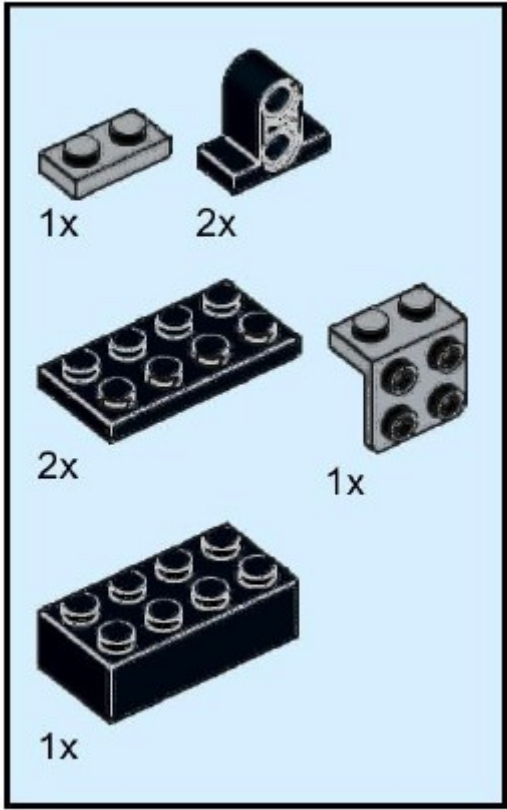
Step 1



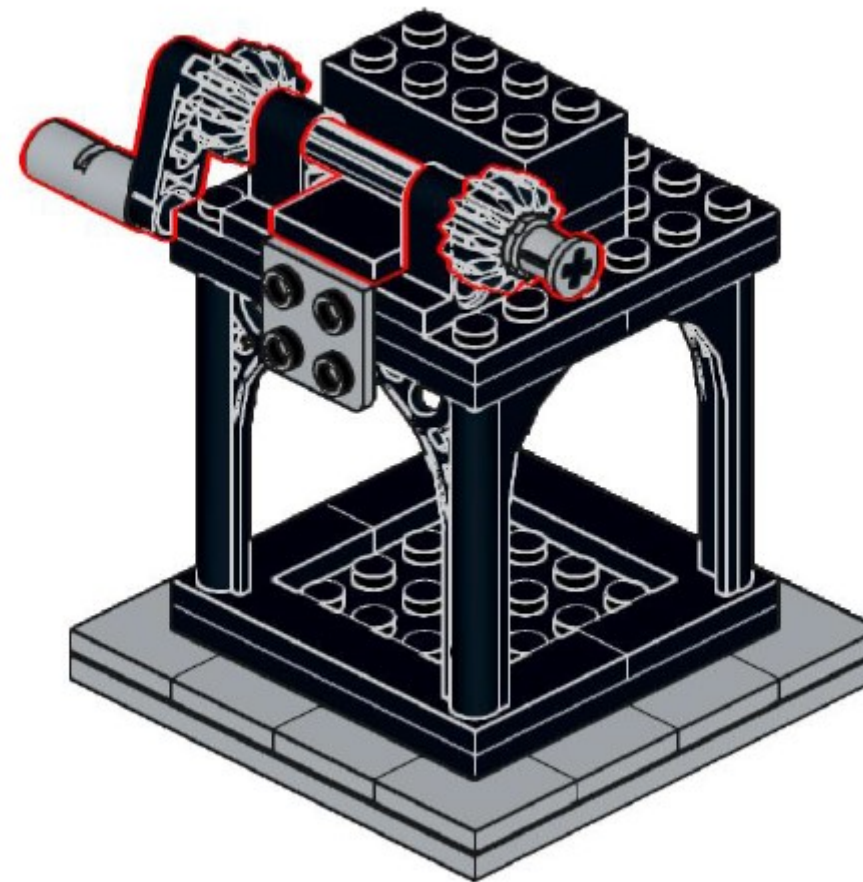
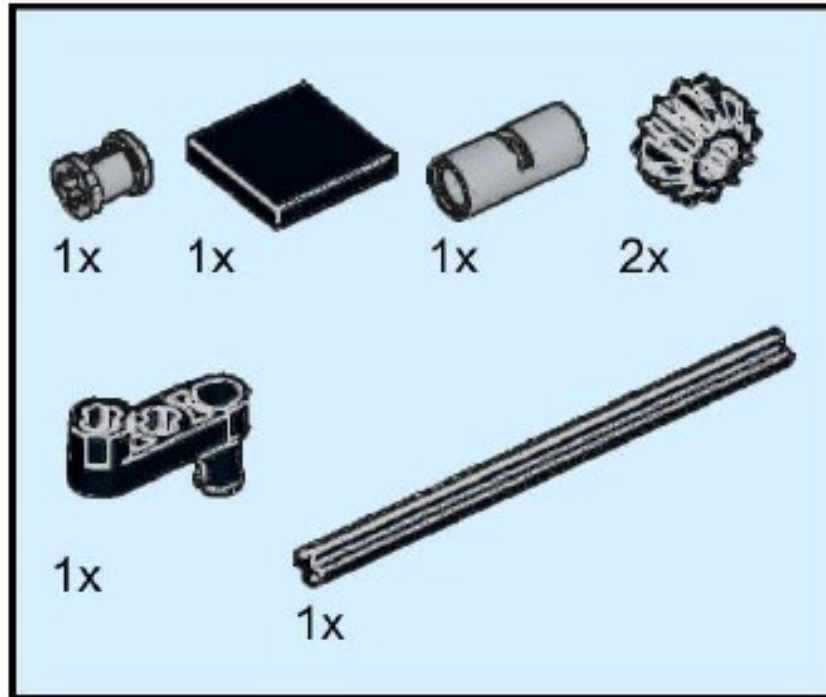
Step 2



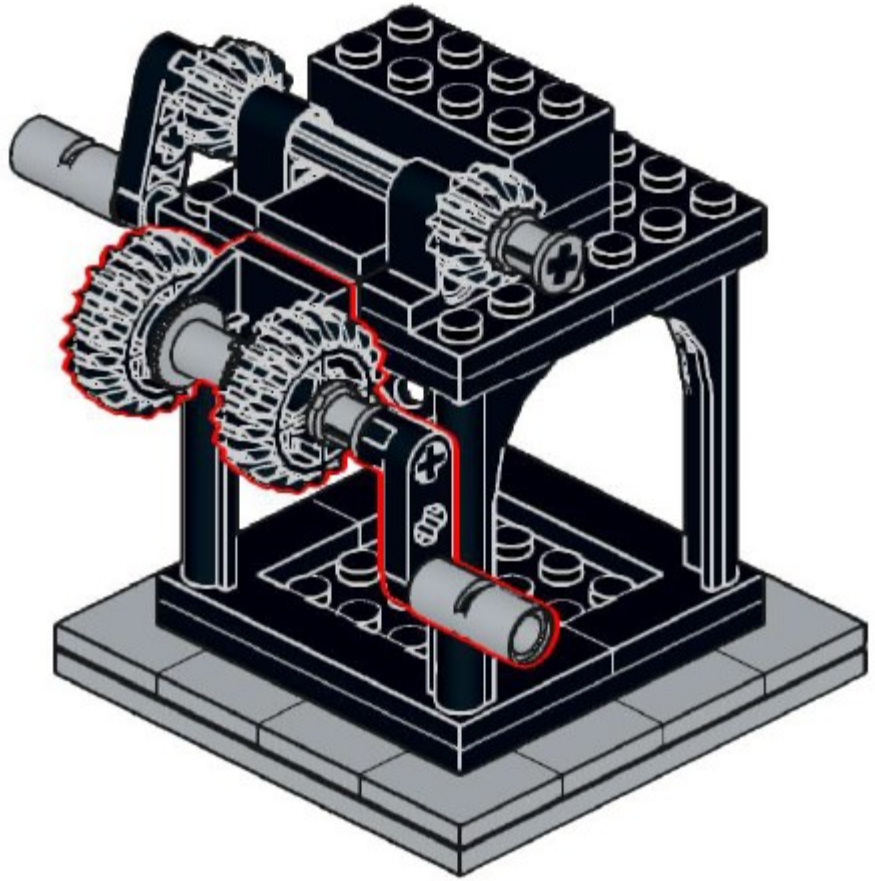
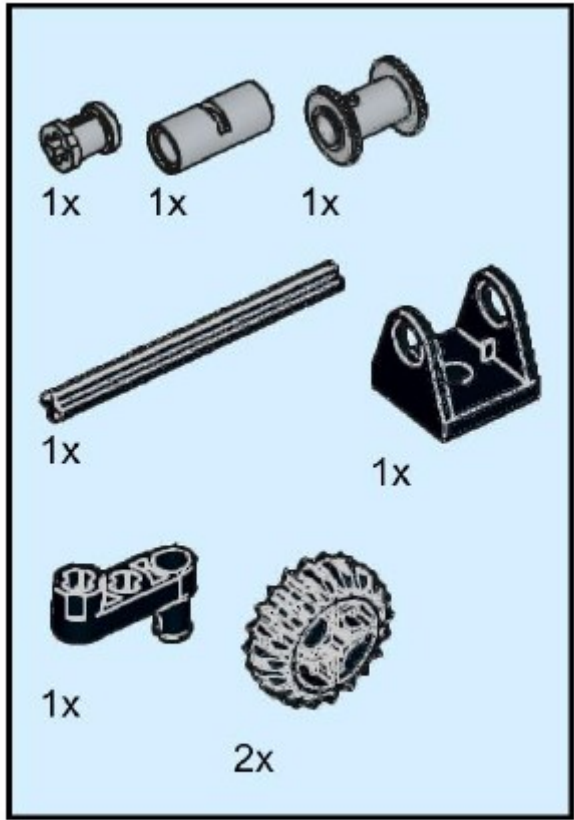
Step 3



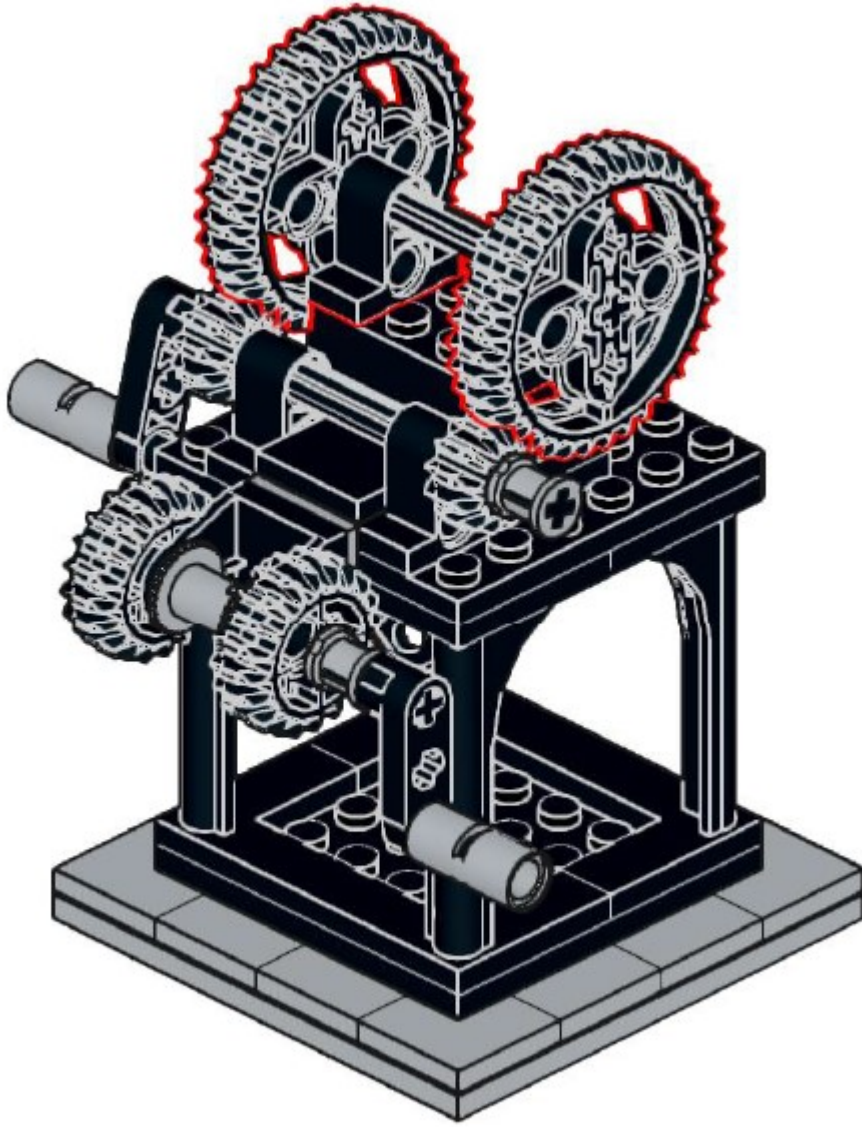
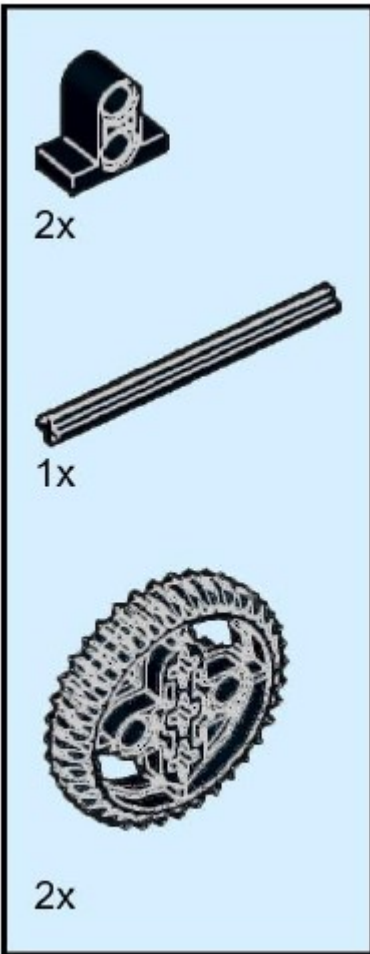
Step 4



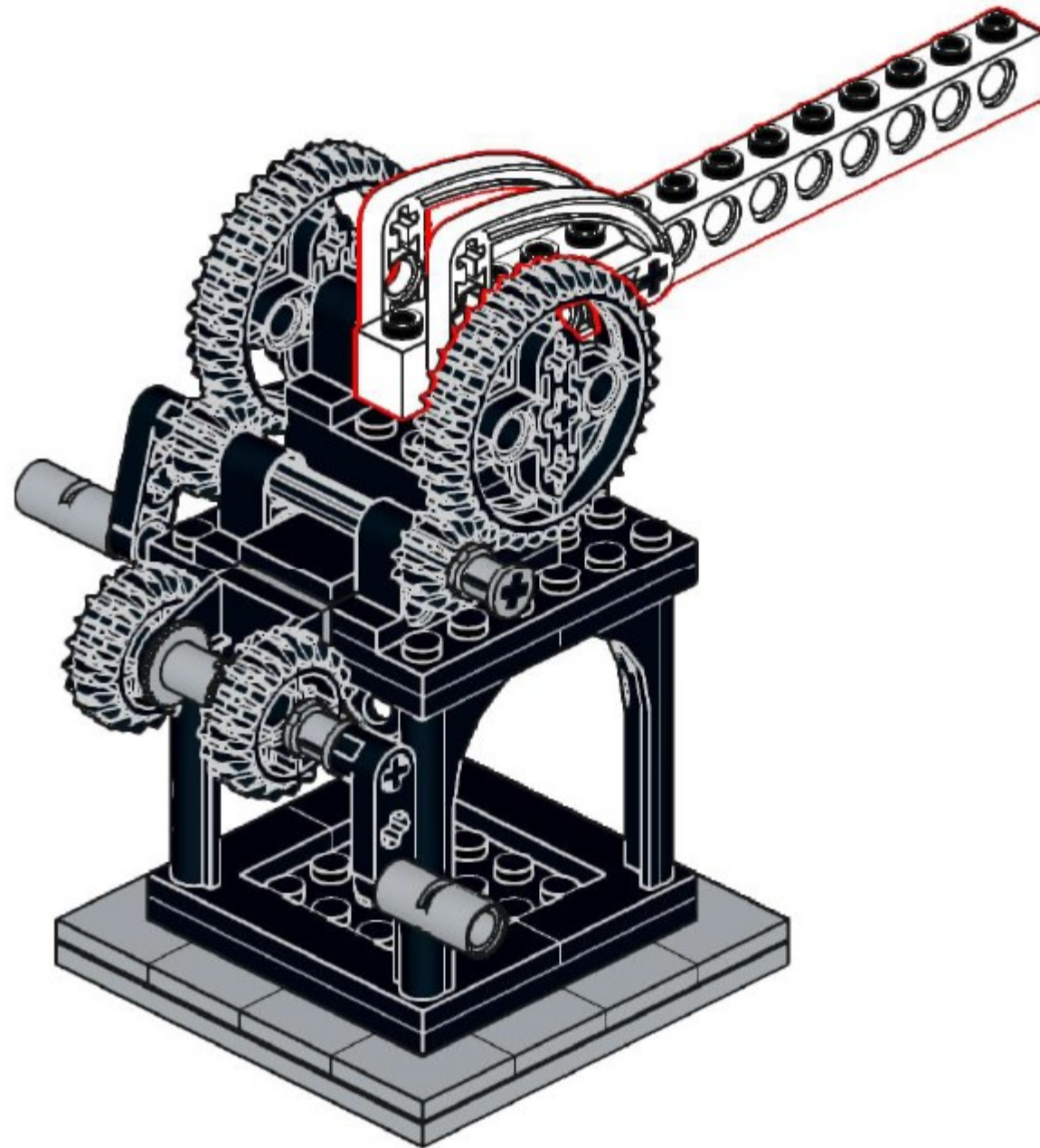
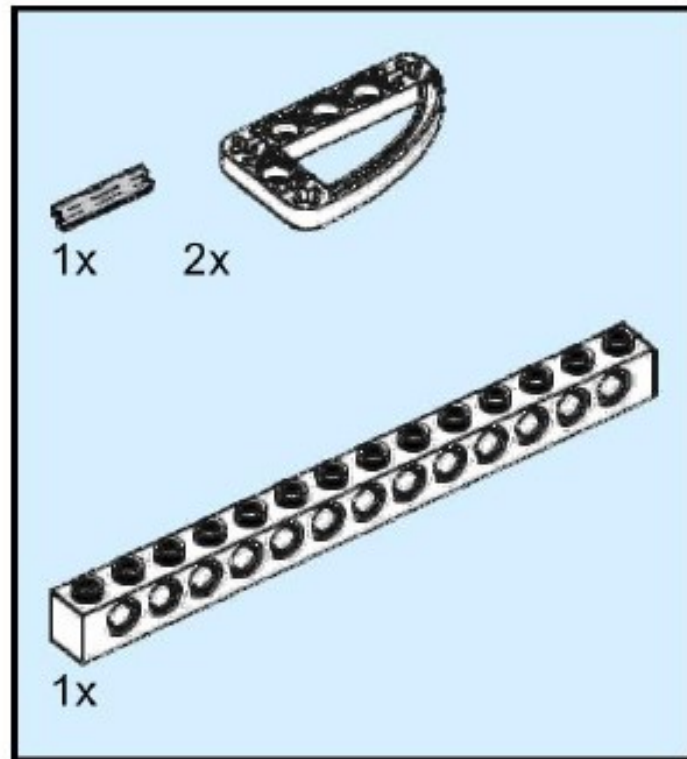
Step 5



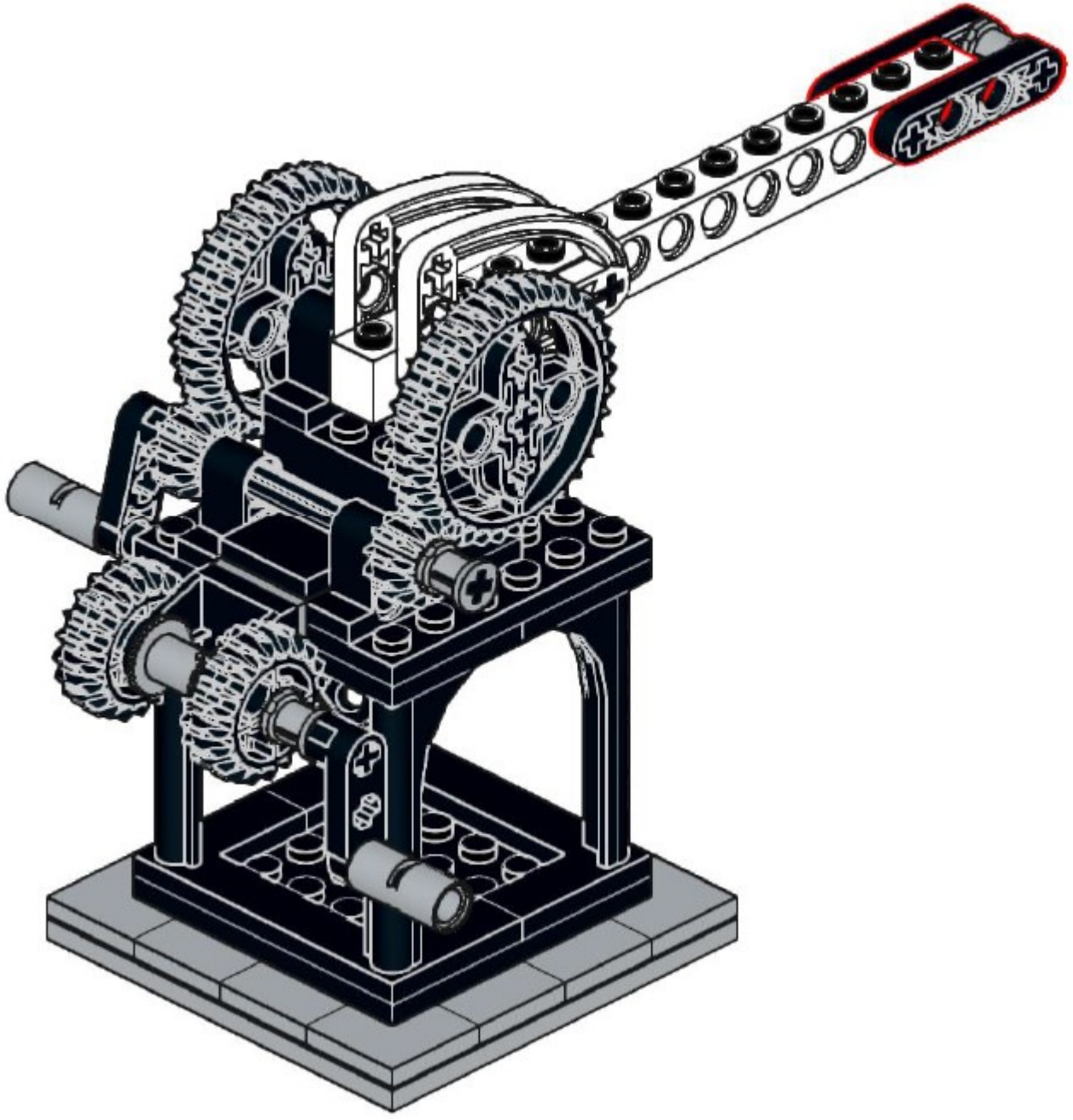
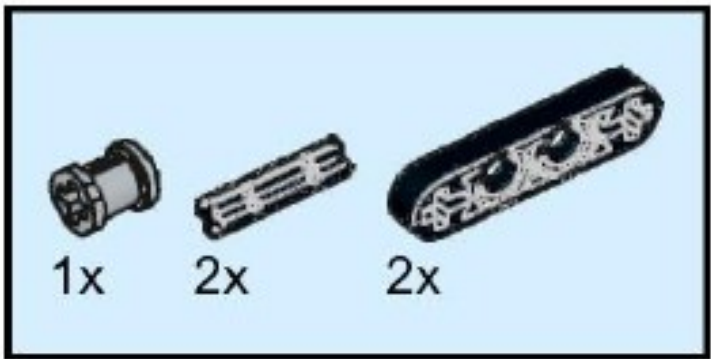
Step 6



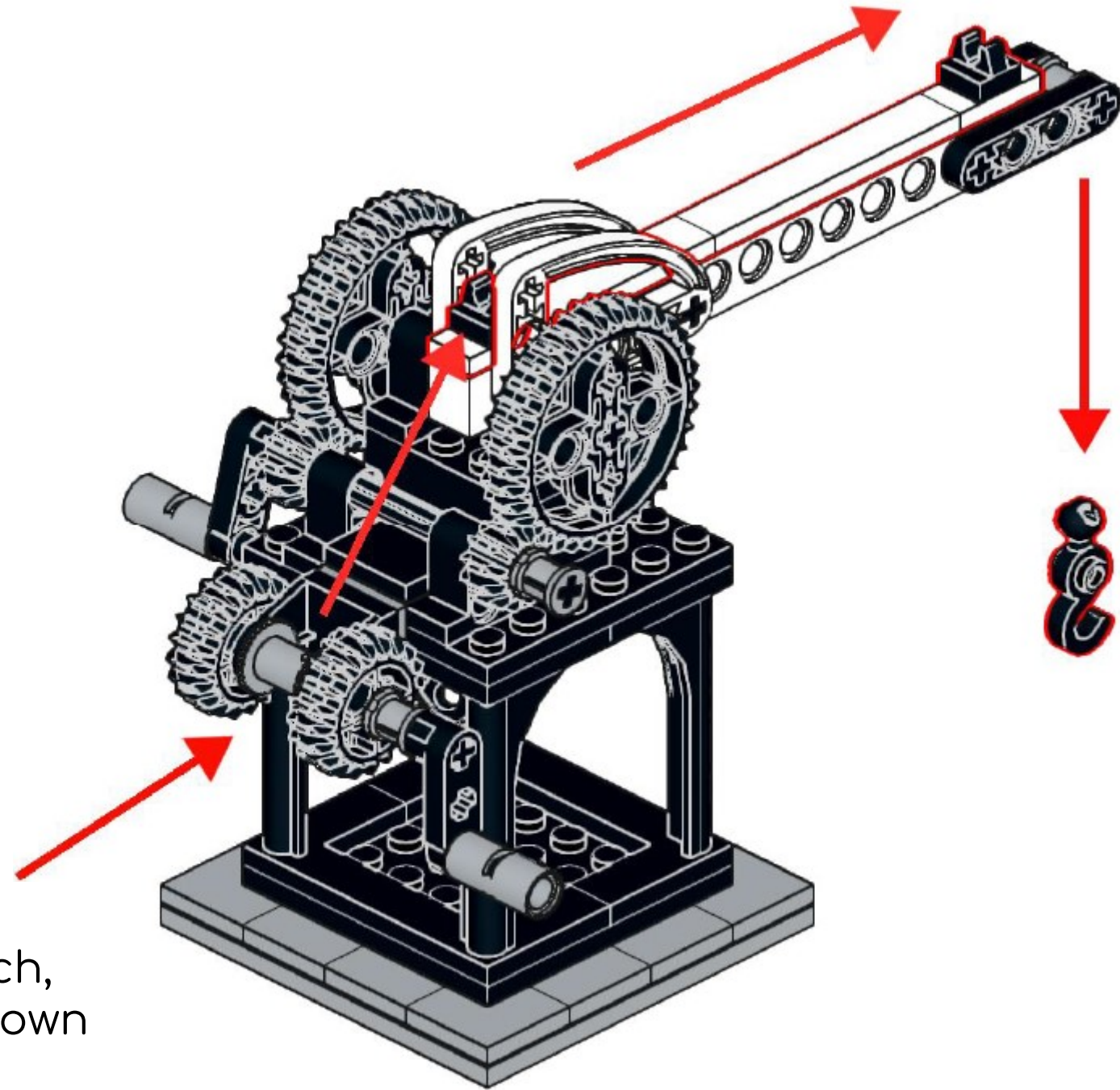
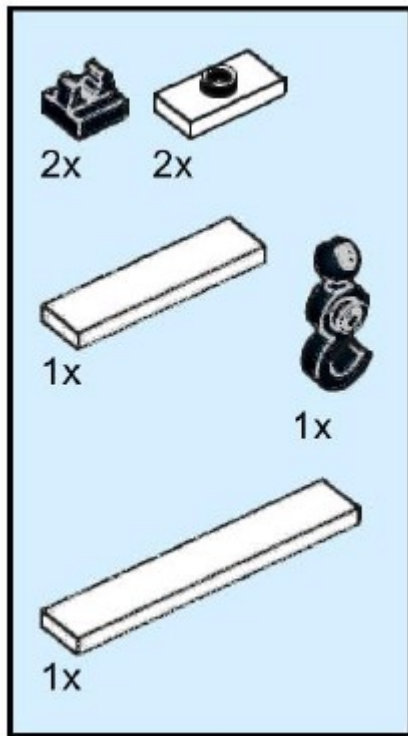
Step 7



Step 8



Step 9



The final step is to add the string. Tie it around the winch, feed along the crane arm, down to the hook and finish with another knot.